

Type 5HT / 5HTP

5 x 20mm Ceramic Tube
RoHS Compliant

Time-lag Fuse Series (High - Breaking Capacity)

5HTD1105



Electrical Characteristics (IEC-127-2 STANDARD SHEET 5)

Rated Current	1.5 In		2.1 In		2.75 In		4 In		10 In	
	MIN	MAX	MIN	MAX	MIN	MAX	MIN	MAX	MIN	MAX
100mA to 3.15A	1	30	1	80	95	5	10	100		
4A and above	1	30	1	80	150	5	20	100		
	hr.	min.	sec	sec	ms	sec	ms	ms		



Safety Agency Approvals	Amp range / Volt @ I.R. ability
Certificate No. 408893	1A - 6.3A / 250V AC @ 1,500A
Licence No. 40000505	
Certificate No. EM232	250mA - 10A / 250V AC @ 1,500A
Recognized File No. E20624	
Acceptance File No. LR39772	1A - 5A / 250V AC @ 1,500A
File No. JET1037-31003-1004, JET1037-31003-1005	
Licence No. 2002010207021531	250mA - 10A / 250V AC @ 1,500A

RoHS Compliant Product

For RoHS Compliant Version, add suffix "R" after catalog number

Operating Temperature

-55°C to +125°C

Physical Specification

Materials

Ceramic body / Nickel Plated Brass Caps

Lead wire:

Tin plated copper alloy,

Diameter 0.032", 6.3A and less

Diameter 0.040", 8A and above

Marking

On fuse:

"bel", "T", "Current Rating", "H", "250V",

"Appropriate Safety Logos", "✓" (RoHS Version)

On label:

"bel", "5HT", or "5HTP", "Current Rating",

"Voltage Rating", "Interrupting Rating", "Appropriate

Safety Logos" and + suffix "R" for RoHS Version

Catalog Number	RoHS Suffix	Ampere Rating	Typical Cold Resistance (ohm)	Volt-drop @100% In (Volt) max.	Melting I ² T < 10 mSec (A ² Sec)	Melting I ² T @10 In (A ² Sec)	Maximum Power Dissipation (W)
5HT (P) 100	-R	100mA	18.00	2.05	0.059	0.06	0.27
5HT (P) 160	-R	160mA	12.10	1.80	0.035	0.04	0.28
5HT (P) 200	-R	200mA	8.00	1.50	0.062	0.08	0.30
5HT (P) 250	-R	250mA	3.40	1.20	0.098	0.12	0.34
5HT (P) 315	-R	315mA	2.20	1.00	0.18	0.22	0.38
5HT (P) 400	-R	400mA	1.40	0.75	0.28	0.34	0.41
5HT (P) 500	-R	500mA	1.00	0.70	0.46	0.58	0.48
5HT (P) 630	-R	630mA	0.60	0.52	0.70	0.90	0.55
5HT (P) 800	-R	800mA	0.40	0.45	1.08	1.50	0.64
5HT (P) 1	-R	1A	0.20	0.25	1.70	1.70	0.73
5HT (P) 1.25	-R	1.25A	0.14	0.22	3.00	3.20	0.81
5HT (P) 1.6	-R	1.6A	0.10	0.20	5.40	5.90	0.91
5HT (P) 2	-R	2A	0.07	0.19	9.70	11	1.00
5HT (P) 2.5	-R	2.5A	0.05	0.17	17	20	1.10
5HT (P) 3.15	-R	3.15A	0.04	0.14	31	38	1.20
5HT (P) 4	-R	4A	0.03	0.10	56	69	1.40
5HT (P) 5	-R	5A	0.02	0.11	101	128	1.50
5HT (P) 6.3	-R	6.3A	0.01	0.074	181	237	1.70
5HT (P) 8	-R	8A	0.009	0.092	330	439	2.70
5HT (P) 10	-R	10A	0.007	0.078	601	812	2.90

Consult manufacturer for other ratings

Packaging

1. In bulk:

5HT - 1,000 pcs per box; 5HTP - 500 pcs per box

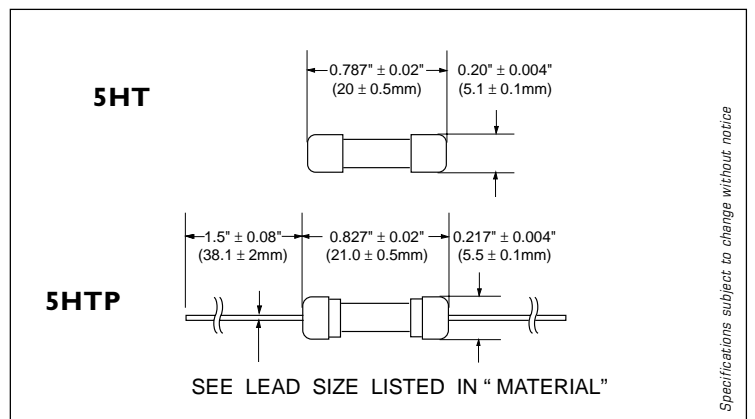
2. On Axial Tape & Reel:

1,500 pcs per reel

3. Tape & Reel specification:

per EIA-296-E & IEC 286-1 @ 10mm Pitch and 63.5mm inside Tape Spacing

Mechanical Dimensions



Specifications subject to change without notice

ORDERING INFORMATION SEE LAST 2 PAGES

defining a degree of excellence

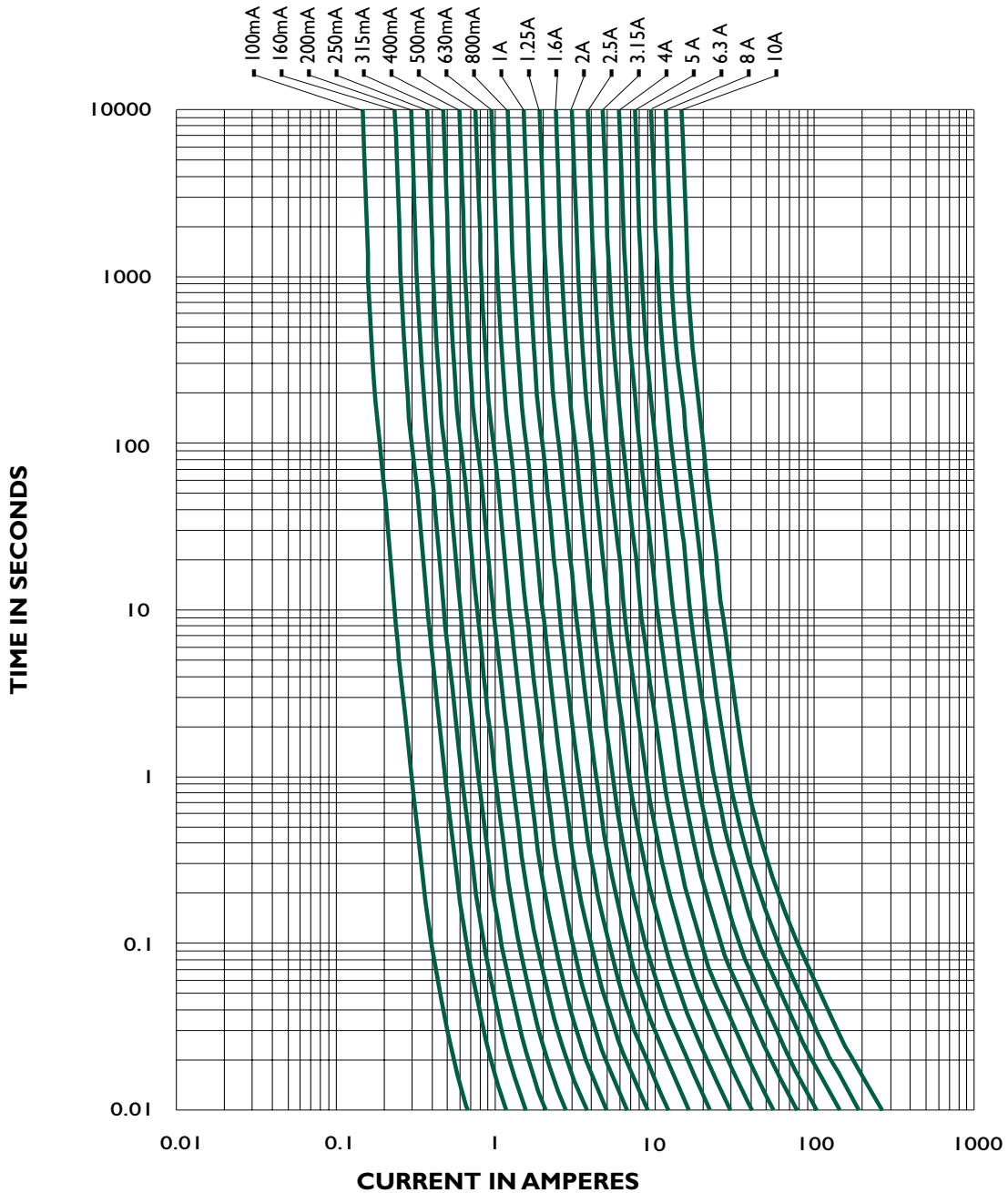


Type 5HT / 5HTP
Time-lag Fuse Series (High - Breaking Capacity)

5 x 20mm Ceramic Tube
RoHS Compliant

5HTC0405

5HT / 5HTP - TIME CURRENT CHARACTERISTIC CURVE



Specifications subject to change without notice

NOTE - see important information under "User Guide" on P.08

Corporate Office

Bel Fuse Inc.
206 Van Vorst Street, Jersey City, NJ 07302
Tel: 201-432-0463
Fax: 201-432-9542
E-Mail: belfuse@belfuse.com
Website: www.belfuse.com

Far East Office

Bel Fuse Ltd.
8F/8 Luk Hop Street
San Po Kong
Kowloon, Hong Kong
Tel: 852-2328-5515
Fax: 852-2352-3706

European Office

Bel Fuse Europe Ltd.
Preston Technology Management Centre
Marsh Lane, Preston PR1 8UD
Lancashire, U.K
Tel: 44-1772-556601
Fax: 44-1772-888366